



BIBCOCKS

144 Ball hose bibcock with lockpad eye

Available sizes: 1/2"x3/4", 3/4"x3/4"



SIZE	PRESSURE	CODE	PACKING
1/2" (DN 15)	15bar/217,5psi	1440012	8/48
3/4" (DN 20)	15bar/217,5psi	1440034	8/48

CERTIFICATIONS



TECHNICAL SPECIFICATIONS

Body in nickel-plated brass.

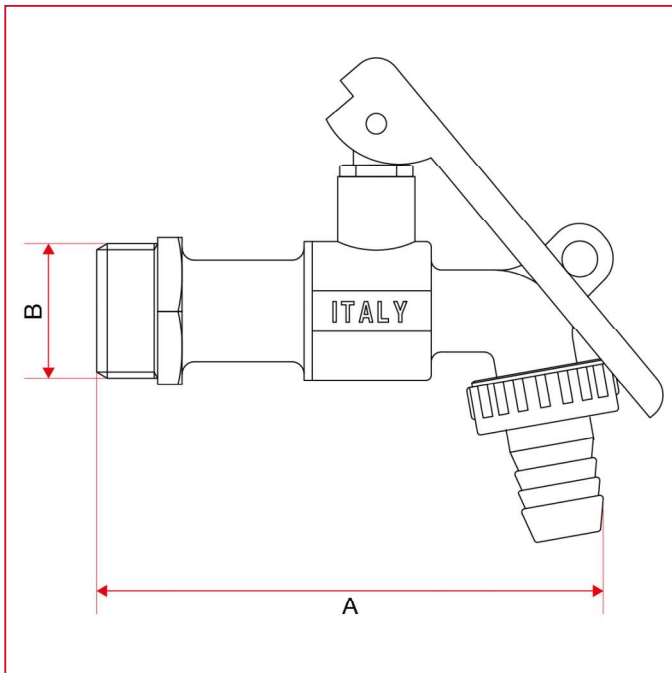
Hose connection in brass.

Lever handle in steel.

Minimum and maximum working temperatures: 0°C, 80°C.

Threads: ISO228 (equivalent to DIN EN ISO 228 and BS EN ISO 228).

OVERALL DIMENSIONS

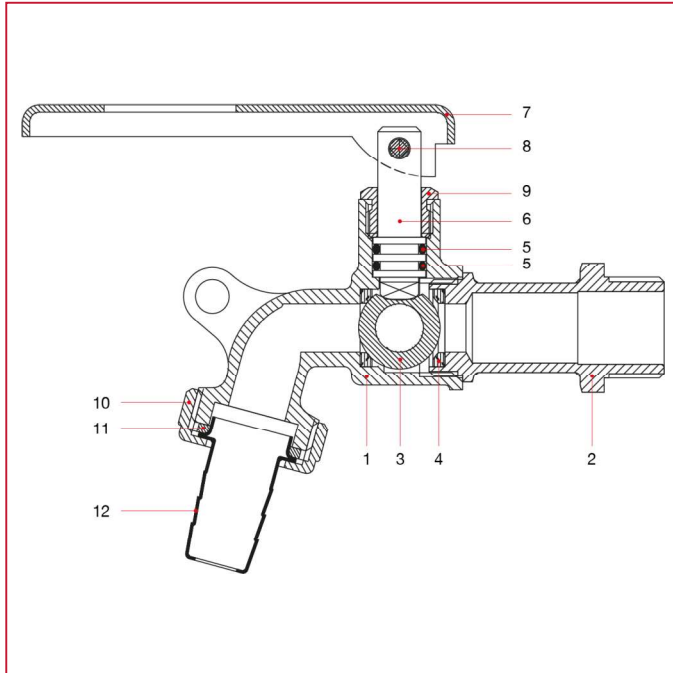




BIBCOCKS

	1/2"	3/4"
A	102	102
B	1/2"	3/4"
Kg/cm ² bar	15	15
LBS - psi	217,5	217,5

MATERIALS



POS.	DESCRIPTION	N.	MATERIAL
1	Body	1	Nickel-plated brass CW617N
2	End adapter	1	Nickel-plated brass CW617N
3	Ball	1	Chrome-plated brass CW614N
4	Seal	2	P.T.F.E.
5	O-ring	1	NBR
6	Stem	1	Brass CW614N
7	Nut	1	Brass CW614N
8	Lever handle	1	Steel
9	Handle pin	1	Aluminium
10	Washer	1	Rubber
11	Hose connection	1	Nickel-plated brass CW617N
12	Nut	1	Nickel-plated brass CW617N